

SLIPPER

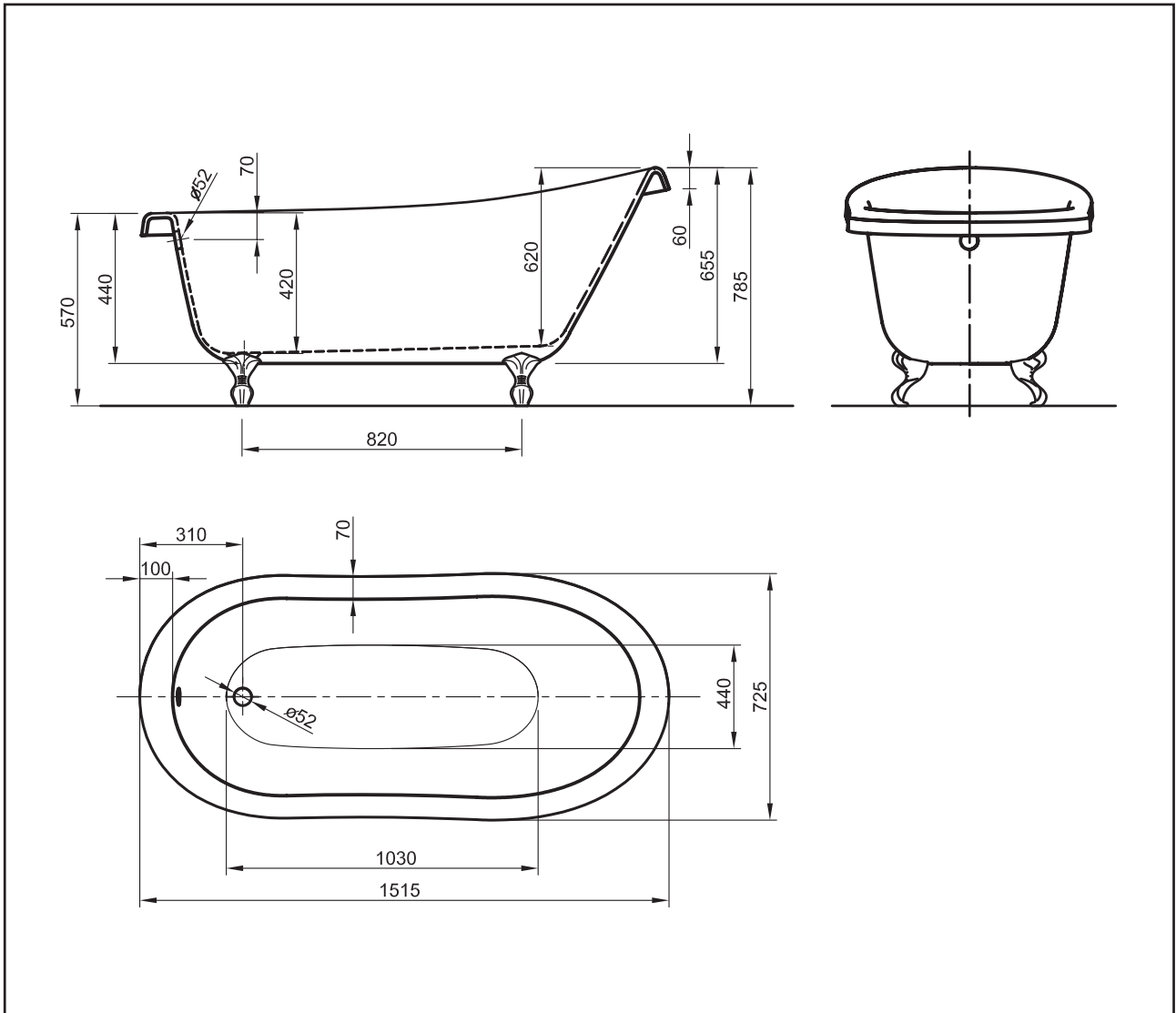


Fig. 1 Please, define position of the bathtub

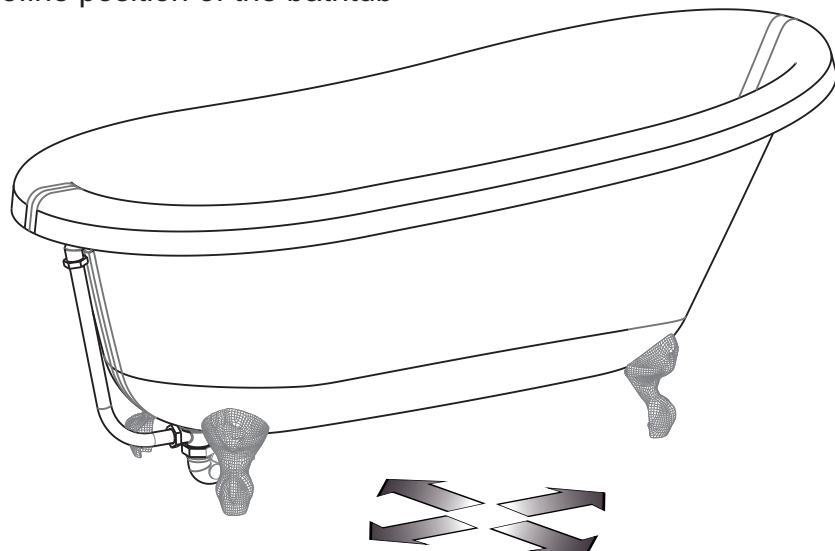


Fig. 2

Please adjust the bathtub
by using adjustable feet.

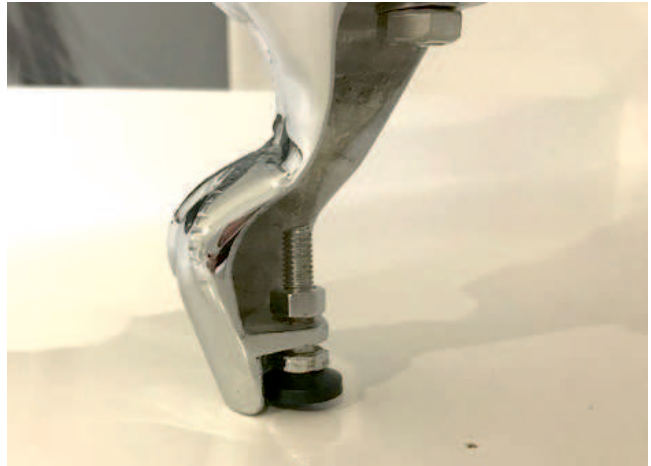


Fig. 3

L-pipe can be shortened
to the desired length.

Connect bathtub with the
wastewater system by using
L-Pipe and floor sleeve.

