

# WALL XS CORNER R

1x

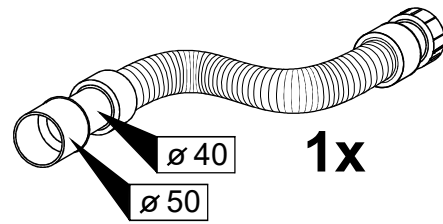
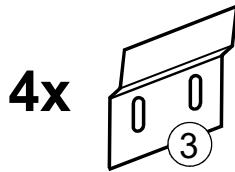
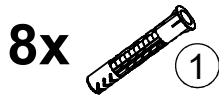
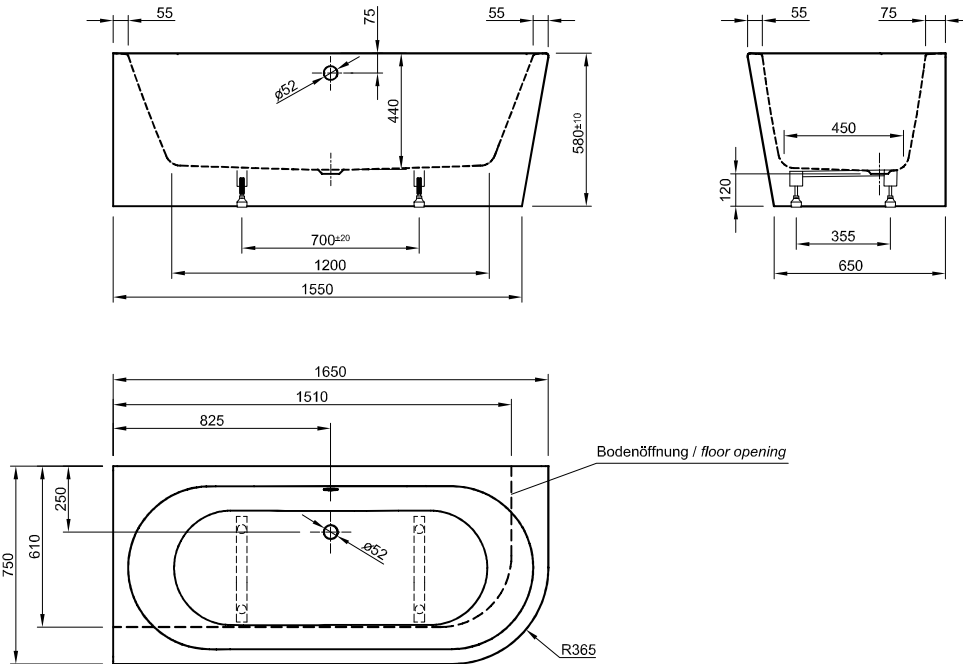


Fig. 1

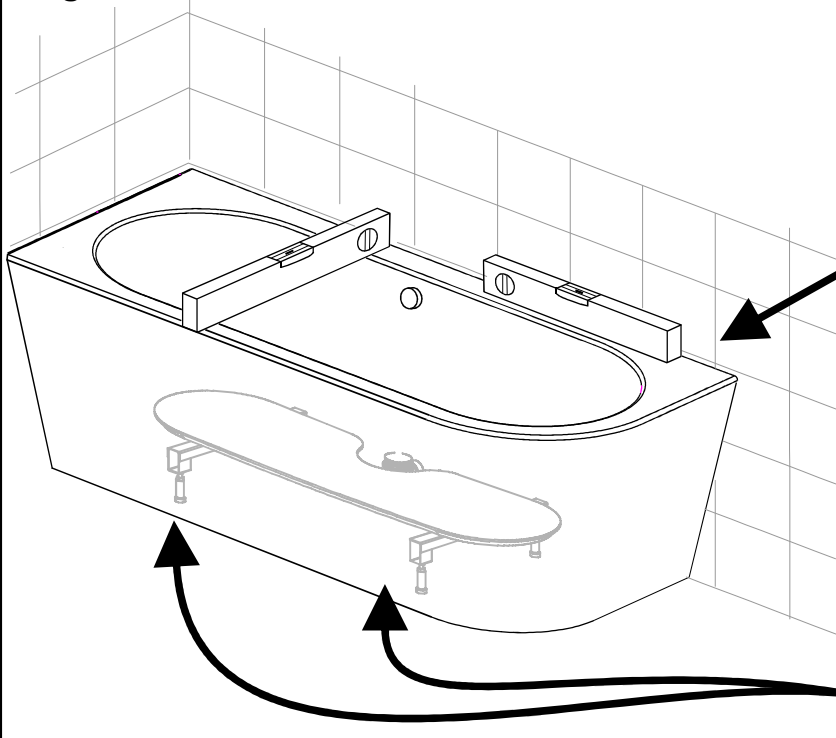


Fig. 3

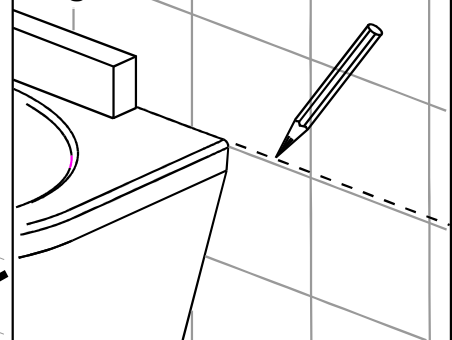


Fig. 2

