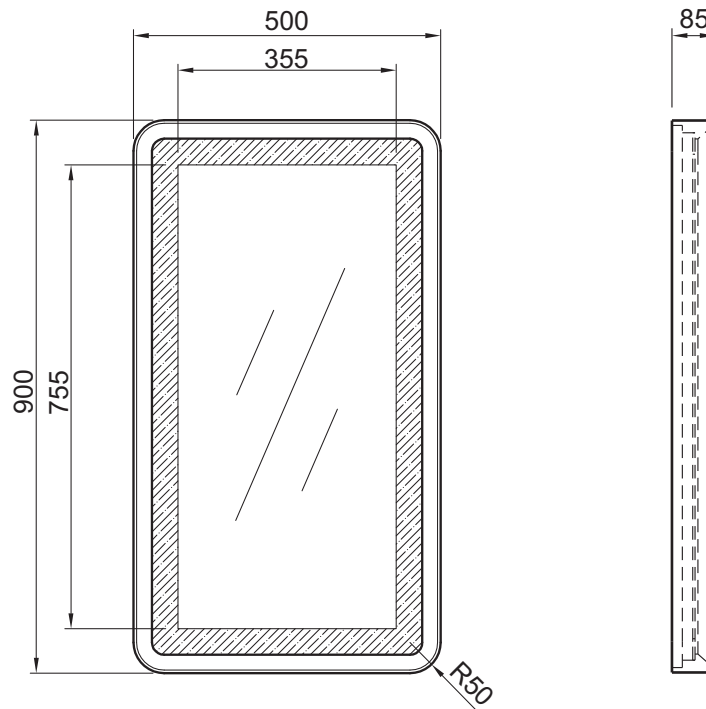


Mirror 50 oval

Article number 0600-263-xx

OPTION A: VERTIKALE MONTAGE / VERTICAL ASSEMBLY



1



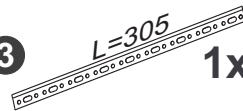
2x
 ø8 mm

2



2x
 ø5x50 mm

3



1x

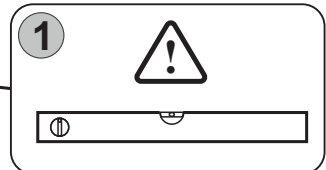
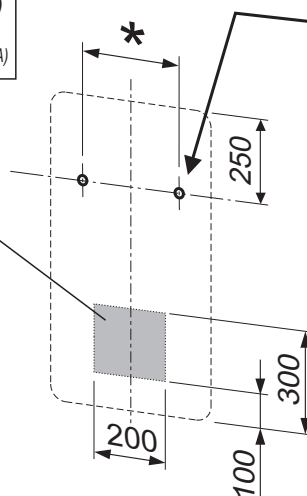
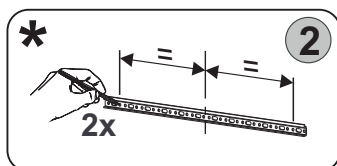
1a



INSTALLATION ABGESIECHERT MIT
 FEHLERSTROMSCHUTZSCHALTER (30 mA)

INSTALLATION PROTECTED WITH
 FAULT CURRENT CIRCUIT BREAKER (30 mA)

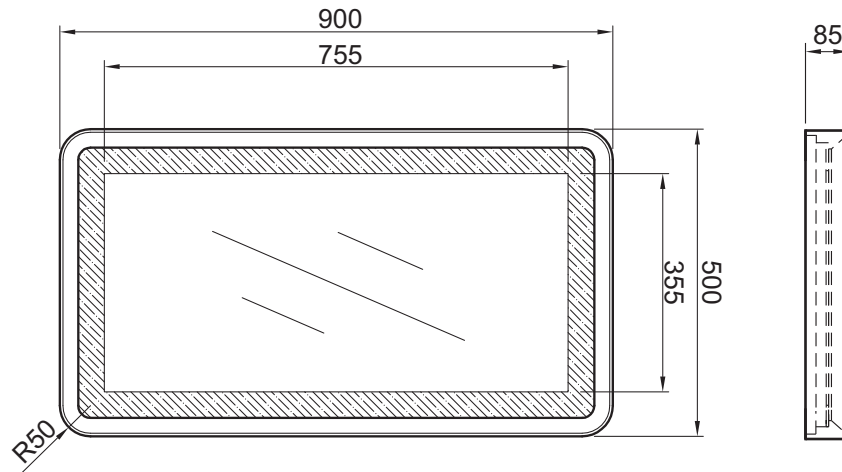
⚡ 220 V



Mirror 50 oval

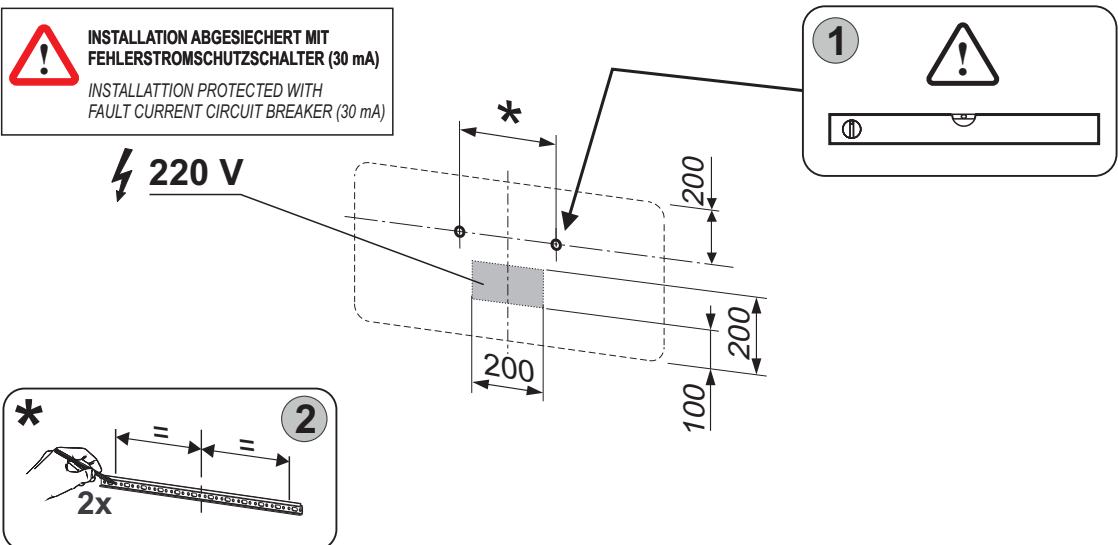
Article number 0600-263-xx

OPTION B: HORIZONTALE MONTAGE / HORIZONTAL ASSEMBLY



- 1** **2x**
 $\varnothing 8$ mm
- 2** **2x**
 $\varnothing 5 \times 50$ mm
- 3** **1x**
L=305

1b



Mirror 50 oval

Article number 0600-263-xx

